

## **AFILS**

### **AUDIO FREQUENCY INDUCTION LOOP SYSTEMS MARCH 2003 UPDATED FEBRUARY 2019**

#### **1.0 INTRODUCTION**

**1.1** This is a simple guide for architects and others in complying with the National Construction Code (NCC) 2016 Volume 1 Building Code of Australia (BCA) clause D3.7 Hearing Augmentation, initiated by the late Mervyn Willoughby-Thomas FRAIA, Accredited Access Member of the ACAA and a hearing-impaired architect. It assumes a knowledge of building construction standards and legislation.

#### **1.2** Definitions and Names:

A number of terms are currently within common use within the industry to describe the Audio Induction Loop. These terms include:

- Hearing Augmentation (includes Loop, FM, Infra Red)
- Audio Frequency Induction Loop System (AFILS)
- Powered Audio Induction Loop System (PAILS)
- Hearing Aid Loop
- Audio Loop
- Loop
- Deaf Aid Loop (NOT TO BE USED)

**1.3** The DDA (Disability Discrimination Act 1992) through the BCA (Building Code of Australia) aims to maximise participation in community life by people with disabilities. BCA Clause D3.7 applies where there is an inbuilt amplification system (other than emergency warning) in:

- Auditoria in Class 9b building, Hearing Augmentation to not less than 80% of an auditorium.
- Rooms for judicial purposes.
- Ticket office, teller's booth, reception etc where the public are screened from the servicer.
- Any screen or scoreboard capable of displaying public announcements must supplement any public address system eg captions.  
*(Refer to the BCA for the precise text).*

**1.4** The intent of this paper is to clarify some of the options which realistically meet the BCA requirements for hearing augmentation for the majority of hearing-impaired people.

**1.5** Hearing impairment, which occurs to many people, especially if over 50 years age, can be mild, moderate, severe or profound. Augmentation of sound will not help all of the profoundly deaf as some have no hearing; they need subtitles or captions.

People with hearing impairment may try to compensate by using a hearing aid, cochlear implant, or a loop receiver. If the hearing aid or cochlear implant has a T switch, and the room has an audio loop (correctly installed, and picking up sound from the microphone of a specific speaker or sound source, whether wired or radio) then the background noise can be reduced or eliminated.

A loop receiver is a pocket sized device fitted with a T switch and stethoscope style earpieces, called a stetoclip.

There are two types of background noise. The first is noise other than the signal trying to be heard e.g. air conditioning, audience, chatter. The second type is reverberation of the signal trying to be heard. Reverberation typically becomes an impediment to understanding if the hearing impaired person is greater than 1.5 metres than the sound source, although the exact distance varies between individuals and circumstances. Hence, loop systems are commonly used in lounge rooms to assist in understanding the television. This is a clear example of the needs of hearing impaired people for Hearing Augmentation.

For an effective AFILS system, the aim is to minimise the distance between the source of sound and the listener.

The signal received by a hearing impaired person needs to be greater than 15 dB above the background noise level, i.e. Signal to noise ratio,  $S/N = > 15\text{dB}$ .

**1.6** A hearing impaired person can hear sounds, but their ears lose the faculty of:

- Distinguishing the message of a specific speaker from the background noise level,
- Understanding the words due to reflections of the sound off walls, floors, furnishings etc,
- The ability to cope with changes in level of sound i.e. dynamic range.

The spoken word still needs to be clearly enunciated and not too fast. Seeing the expression on a speaker's face and body language is important as many use a combination of hearing and lip reading, to reinforce the spoken message.

## 2.0 HEARING AUGMENTATION SYSTEMS

If the Hearing Augmentation system is incorporated with the public address system, ensure that the Hearing Augmentation System is automatically operated with PA announcements

In public buildings there are three options readily available:

### 2.1 AFILS (Audio Frequency Induction Loop System)

The loop is located in or around the room. This is suitable for most churches, lecture theatres and auditoria, and is the preferred option for people with hearing impairment. Generally it is also the most cost effective system.

It is estimated that 70 to 80% of hearing aids are fitted with a T switch. However, If a hearing aid lacks a T switch, then a loop receiver with stetoclip or head phones are required to augment the sound level for a mild or moderately hearing impaired person. The advantage of the AFILS is the need to provide receivers only for those without the T switch, as both other types of systems require receivers to be provided for every user.

Electromagnetic signals can be affected by electronic apparatus and steel to varying degrees. Electromagnetic waves also pass through walls, and hence loss of privacy is possible. AFILS work indoors and outdoors. This is relatively cheap to provide, and once installed requires minimal administrative assistance apart from periodic check for being in working order.

If there are other loop systems close by, the problem of overlap of sound must be addressed. This is a serious problem if the auditoria are next to or above one another. There are various ways to resolve this overlap but consult the experts while the design is still in its early stage.

**There are many unsatisfactory audio-magnetic loop installations. It is an area for the specialist, rather than the average electrical consultant or contractor.**

Consultation may be necessary at the **early design stage** as well as when the building is under construction.

Many telephone handsets have a coil which, with a T switch on the hearing aid, cuts out the background noise.

One concern when installing AFILS is interference caused by electrical cabling, or in some cases nearby electronic/electrical equipment.

### 2.2 FM (Frequency Modulation)

This system consists of a base station transmitter and individual receivers for each user. Attachments are also required for each user, neck loops for users with T switch on their hearing aids, and headphones or stetoclip for the remainder of users.

For lecture tours, the same receivers and attachments are used, but with a personal transmitter with lapel microphone.

The Phonic Ear "Easy Listener" is an example of both the above systems; it is found in some public galleries and museums, where the battery units can be recharged overnight.

In FM systems radio waves pass through walls. Hence loss of privacy is possible. FM systems may be used both indoors and outdoors.

If there are loop systems close by, the problem of overlap of sound must be addressed. There are various ways to resolve this overlap but consult the experts while the design is still in its early stage.

### 2.3 IR (Infra-Red)

Infra-red listening systems require a special headphone receiver and requires clear path from transmitter to receiver (i.e. line of sight), unobstructed by people's limbs and objects, even by paper.

Attachments are also required for each user, neck loops for users with T switch on their hearing aids, and headphones or stetoclip for the remainder of users. Alternatively, different type of receivers may be used to achieve the same result.

Walls are a barrier and hence privacy is assured.

IR is not suitable outdoors, as sunlight disrupts the infra red signal, nor is IR suitable in rooms with direct sunlight.

As with AFILS, IR is commonly used for hearing the television and radio in the home.

In public buildings IR is rarely used except where privacy is absolutely necessary, due to the large radiators required rooms more than 6 metres long, line of sight restrictions, and cost effectiveness compared to the alternatives.

If there are loop systems close by, the problem of overlap of sound must be addressed. There are various ways to resolve this overlap but consult the experts while the design is still in its early stage.

### **3.0 THE AUDIO LOOP - INSTALLATION**

#### **3.1 The aim of AFILS is to obtain:**

- Reasonable magnetic field strength within the working area at ear level (1 metre sitting, 1.7 metre standing), per AS 60118.4 – 2007.
- Minimal overspill which could cause interference with other similar systems or compromise confidentiality
- Acceptably uniform magnetic field strength over frequency range 100Hz to 5000Hz, per AS 60118.4 – 2007. To achieve this, current amplifiers, not voltage amplifiers, must be used in order to obtain uniform field strength at all frequencies in the speech band. Thus public address amplifiers and wiring circuits are not suitable for AFILS.
- Adequate signal processing to achieve compression/limiting so that the variation in output level is less than 3 dB for a variation of input signal of 30 dB.
- Adequate loop receivers for users without T switch.
- Coverage over all classes of seating.

#### **3.2 The LOCATION in a room or area may be:**

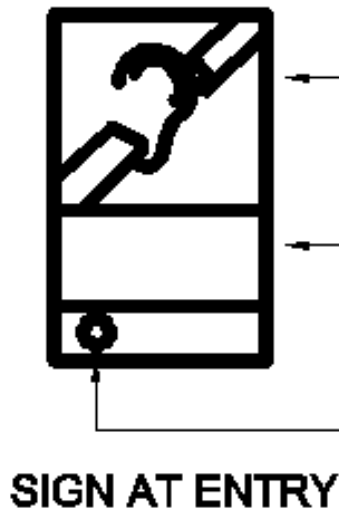
- Around the perimeter of the listeners, ensuring the cable is more than 0.75 metres outside the listening area, as the signal from the cabling will not be picked up directly above or below the cable.
- At floor level, up to three metres above floor level, or just under the floor.
- The loop of wire (or 2 wires) may rise and fall at doors or windows.
- Loop cabling must not have steel or ferrous materials between the loop cabling and the users, as the ferrous materials will shield the signal from the user. Therefore, the loop cabling must not be laid beneath steel reinforcing or in ceiling steel channel struts.
- Where steel reinforcing is present, or significant amounts of ferrous materials, the loop shall not be wider than 10 metres.

#### **3.3 The LOOP INSTALLATION may be:**

- Loop cabling may be one or 2 wires. More than 2 wires must not be used as frequency response requirements are otherwise practically unachievable.
- In a plastic conduit (about 20mm diameter) with post installation access points at corners and bends.
- Under the skirting board.
- Under the carpet (with or without underfelt)
- Up to 400mm below the floor surface if no ferrous materials are used in the floor construction
- Must not have any other electrical wiring running parallel within 200mm. If electric in-slab-heating is installed, the relationship of the loop wire(s) to the slab wires needs consideration.
- Adjacent loop cables shall run in the same conduit, or within 20mm of each other.
- The size of the cable (0.5 to 2.5mm<sup>2</sup> multistrand generally, but sometimes a flat cable) is calculated to suit the room size, the cable length, and the specific amplifier used to drive it..
- Refer to Section 6 for tellers counter situations.

4.0 GENERAL REQUIREMENTS

4.1 Signage



International Ear Symbol In white on a blue background as per AS1428.1

Information to show what type of hearing augmentation (loop, FM, Infrared). If the loop does not cover the space, the area covered should also be indicated.

Indicator to identify when there is a signal flowing through the loop cable. The indicator shall only identify when a signal is present and be inactive when a signal is not present i.e. Indicator only goes on when speaker is speaking and the loop is working. No light is required at the front of the room as it will be distracting. Management will need to ensure that the loop system is maintained and is operational for each occasion. Failure of signal to the amplifier, the amplifier, or the cabling, shall result in the indicator failing to indicate the Audio Induction Loop System is working.

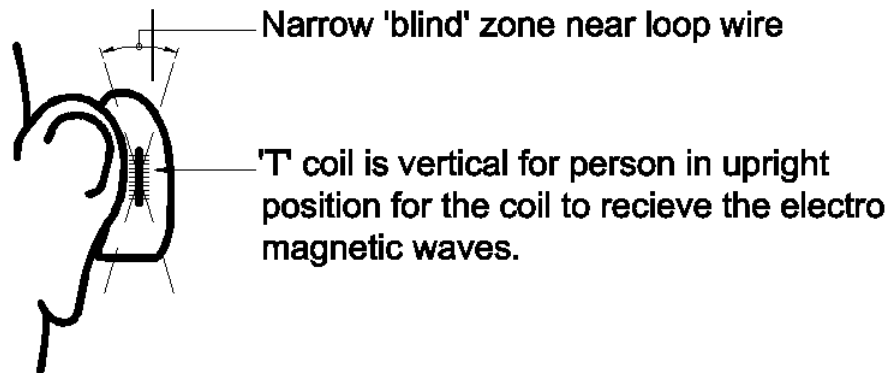


International Ear Symbol In white on a blue background as per AS1428.1

Information to show what type of hearing augmentation (loop, FM, infrared). If the loop does not cover the space, the area covered should also be indicated.

#### 4.2 Hearing Aids

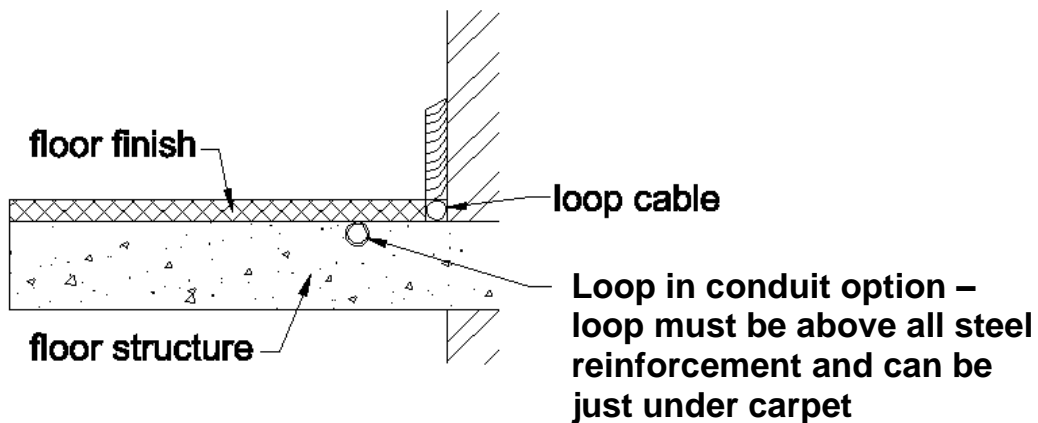
- a) For a hearing aid with an electromagnetic induction 'T' coil (T switch) the strongest audio reception is within the loop but there is some spill outside the loop.
- b) Hearing aids have a blind spot which needs to be considered in locating the loop. The width of the blind spot either side of the cable is variable according to distance. An approximate rule of thumb is 500mm either side of cable if in the floor and 1000mm either side of cable if in the ceiling.



#### 4.3 Construction Details.

The loop can be located in a range of positions including those illustrated below it is important to note.

- No other electric wires to be parallel to loop within at least 200mm.
- No High Voltage wires should cross the loop area but 240V wires may cross the loop.



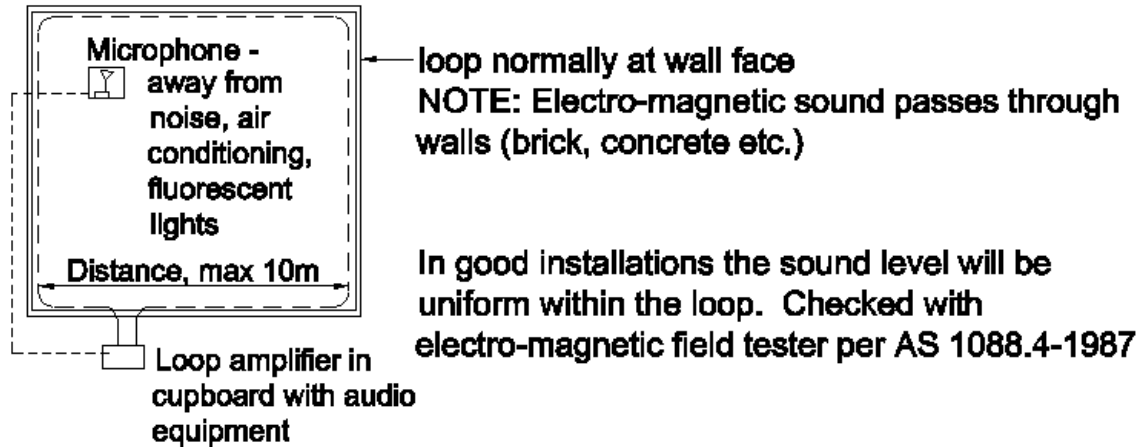
#### 4.4 Notes

- AFILS designers/installers need particular expertise and experience beyond that practised by many electrical contractors.
- Electromagnetic sound passes through walls.
- If security is required consider infra-red or multiple small loud speakers i.e. pair of speakers for every seat, mounted in the seat.
- Steelwork, electrical cabling and some air conditioning equipment can result in unusable electromagnetic reception if not designed and installed correctly.
- Installers must check the system with a magnetic field strength meter to check compliance with AS 60118.4 – 2007, and with a loop receiver to ensure the signal is distortion and interference free
- Spill-over control systems are also available if all of two adjacent rooms are to be looped or spill-over outside a room is to be controlled.

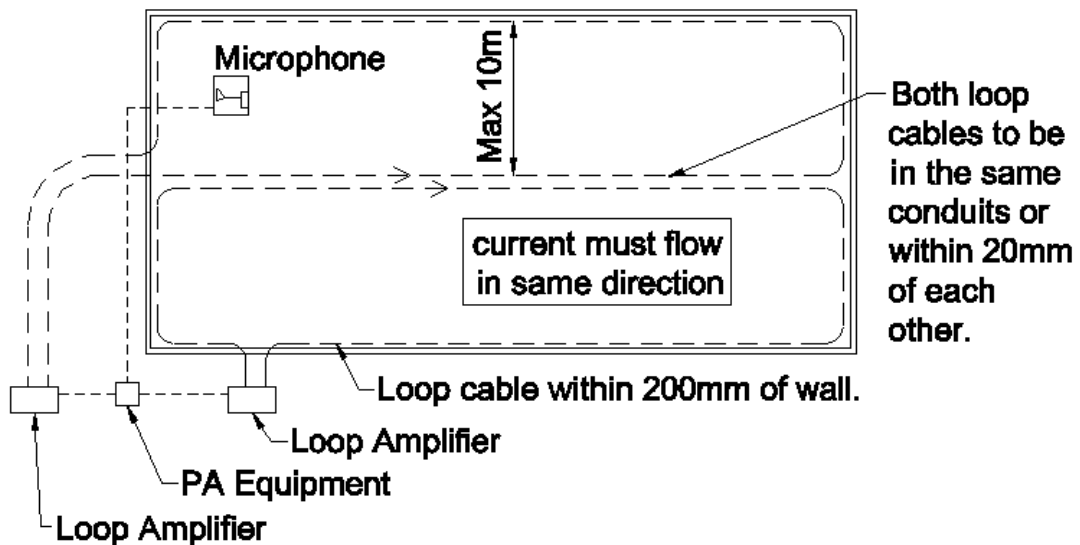
This is achieved by additional active loops to resolve interference. However, this is usually at a significant cost.

5.0 LOOP LOCATIONS

5.1 Small Rooms 100-200 m<sup>2</sup>



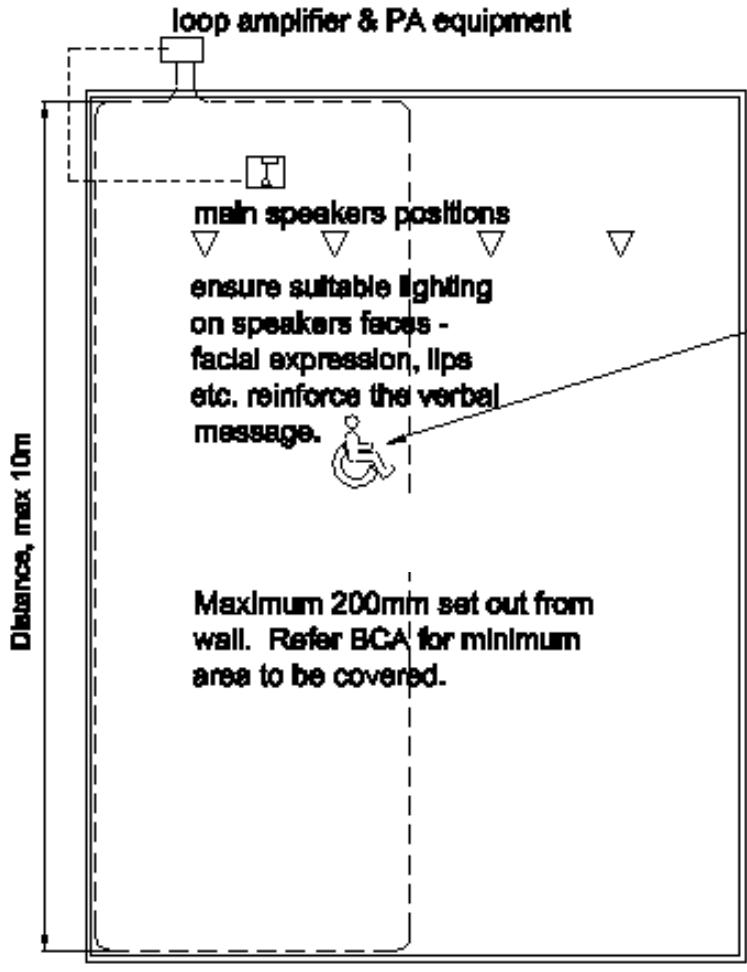
5.2 Long Rooms if two loops installed





**5.3 Large Rooms**

The loop should include all the auditorium area but in larger auditoria or in multiple auditoria the loop is recommended to be on one side in preference to the back or front.



dimension precisely on architects loop location & electrical dwgs - coordinate at design as well as construction stages.

some wheelchair locations need to be within loop area.

draw in boxes may be necessary for loop in conduit.



**SIGN AT ENTRY (refer 4.1)**

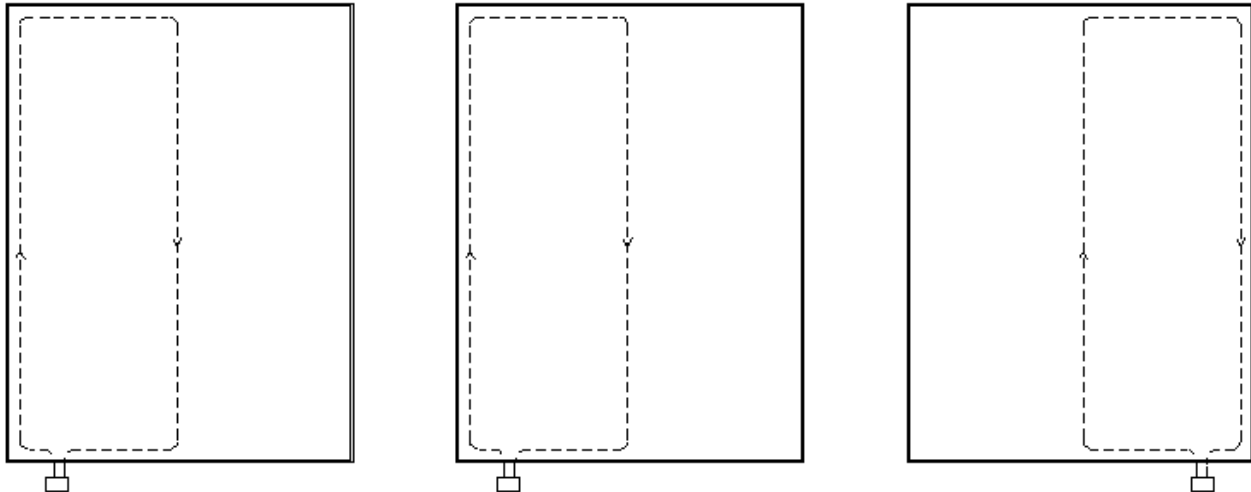


**SIGN AT FRONT (refer 4.1)**

**5.4 Plan – Multiple Rooms on same level**

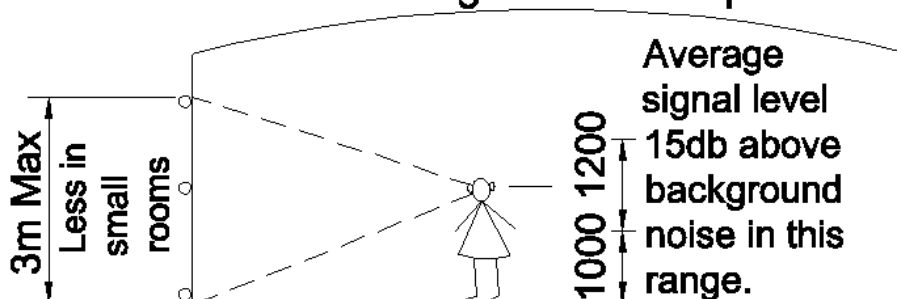
Loops in adjacent areas are recommended to be on the left or right side in preference to the back or front. Specialist advice is required in design to ensure spillover between loops is avoided, as the minimum separation distance between loops varies according to the size and orientation of loops.

Care is also required when a loop is installed in the ceiling of one room under or adjacent to an area covered by loop, FM or infra-red on the floor above.



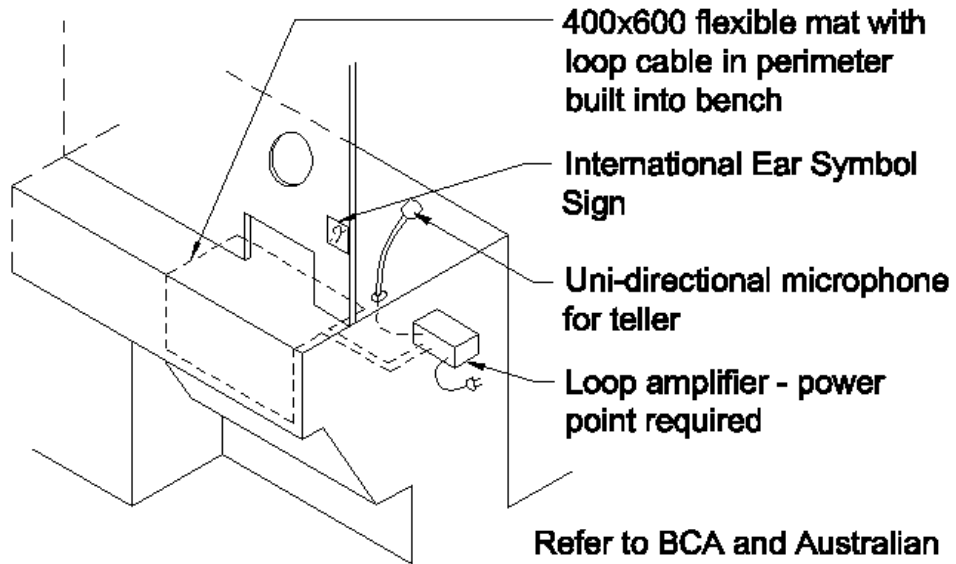
**5.5 Section**

**- High level loops and/or metal roof or floor need greater audio power.**



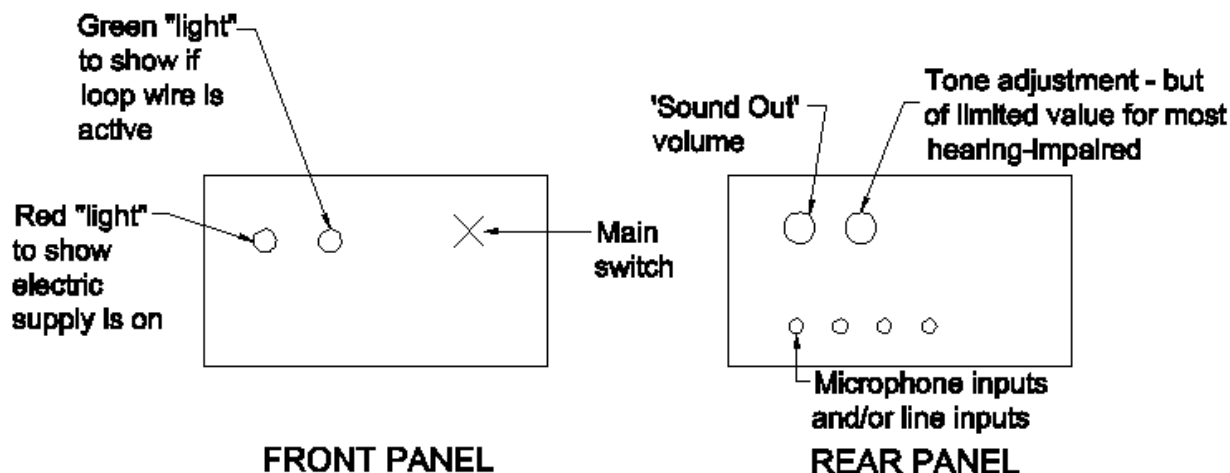
**Loop may rise and fall at doors / windows. A loop at floor or high level gives more uniform field strength at listening level. However, this will cause dead zones either side of the loop cable.**

**6.0 BANK AND TELLER COUNTERS**



**Note: Hearing loops for multiple tellers are practicable when correctly designed and installed.**

## 7.0 LOOP AMPLIFIER – MINIMUM REQUIREMENTS



### NOTES

1. Loop amplifiers must use current instead of voltage for adequate reception throughout the speech range (100 Hertz to 5000 Hertz), which is important for intelligibility of speech.
2. Allow for ventilation of loop amplifiers.
3. Loop wire(s) varies from 0.5mm to 2.5 mm diameter or can be a flat cable 18 mm wide to suit room size.
4. The Amplifier may be fed with the signal from a wired or radio microphone, or an output from a PA system.
5. After correct installation of the loop system it needs checking for magnetic field strength, frequency response and clarity.  
The signal to noise ratio must be within prescribed limits for clarity and effectiveness.  
A calibrated field strength tester and a loop receiver are required to for testing the AFILS.  
Further adjustments later are rarely necessary, but absolutely necessary if the PA system is modified.
6. A written user manual related to the system installed is necessary.  
It should show how to operate the system, the location of loop cable, its diameter and the measuring data (Note 5 above).
7. Building owners without a hearing loss can verify loop operation on an ongoing basis using the loop receivers provided for hearing impaired users without T switch.

## **8.0 REFERENCES AND CONTACTS**

### **8.1 Sources of Information**

- Sensory Access Seminar by Peter Kerley. Oct 2000 for Standards Australia
- Paper by Ref Siegfried Karg at International Congress of Hard of Hearing People, Sydney, Australia, July 2000 courtesy of Better Hearing, March 2001.
- Deafness Resource Guide 2000-2001 by Deafness Resources Australia
- British Standard, BS 7594:1993
- Australian Standard, AS 60118.4 – 2007
- Australian Standard, AS1428.1 and 1428.2

Acknowledgement and thanks also to Andrew Stewart of Hearing Connection and others.

### **8.2 Organisations who can assist:**

- Hearing Connections  
PO Box 4432 North Rocks NSW 2151 tel: 0411 757 622
- Deafness Forum of Australia  
218 Northbourne Avenue, Braddon, ACT 2612 tel: (02) 6262 7808
- Deafness Resources Australia  
33 Argyle Street Parramatta, NSW 2150 tel: (02) 9895 2970
- SHHH Australia Inc (Self Help for Hard of Hearing People)  
1334 Pacific Highway, Turrumurra, NSW 2074 tel: (02) 9144 7586
- Better Hearing Australia Inc  
21 Vulture Street, West End QLD 4101 tel: (07) 3846 5260
- Word of Mouth  
6 Sturt Street South CROYDON VIC 3136 tel: (03) 9723 0660

### **8.3 An experienced installer:**

- Hearing Connections NSW, ACT, Qld, Vic Andrew Stewart tel: 0411 757 622

### **8.4 A specialist supplier is:**

- Hearing Connections NSW, ACT, Qld, Vic Andrew Stewart tel: 0411 757 622

### **8.5 Outline Specification**

An outline specification for the design and installation of a hearing augmentation listening system is included as Attachment A

**February 2019**

## ATTACHMENT A – OUTLINE SPECIFICATION

### HEARING AUGMENTATION LISTENING SYSTEM

#### **General**

Provide a hearing augmentation listening system for hearing impaired people in the room.

The hearing augmentation listening system shall be an audio frequency induction loop system consisting of a:

- Loop amplifier
- Loop cable
- Test Receiver
- Loop Receivers
- Other equipment as required.

#### **Subcontractor**

The hearing augmentation listening system shall be installed by a specialist subcontractor with experience in installing audio frequency induction loop system

#### **Standards – Loop Amplifier**

- Transconductance Amplifier
- Output Current of 10 Amps continuous into 2 ohms
- Input compression of 30dB input: 1dB output.
- Balanced Microphone input, with switchable phantom power
- Balanced Line input
- Output metering:
  - Bar graph for output signal
  - Separate indication for threshold of compression
  - Separate indication for 8 to 10dB into compression
- Total harmonic distortion 0.5%
- Frequency response 3dB 100Hz – >5kHz
- Min 6dB per octave roll off from 6kHz
- Short circuit protection
- Size is two rack units (2RU), and allow one rack unit for ventilation.

#### **Connection**

The input of the loop amplifier shall be connected to the:

- line output of the public address system (*when a public address system is supplied by others*)
- audio out of the television (*when a television is supplied or expected to be supplied*)
- output of the radio microphone receivers (one UHF diversity lapel radio microphone system and one UHF handheld diversity radio microphone system to be supplied by the Hearing Augmentation subcontractor *when no public address system is supplied by others*)

#### **Location**

The loop amplifier shall be located in the public address system rack (rack with adequate space to be provided by others, *where a public address system is provided*).

The loop amplifier shall be located in a vertical wall mount cupboard (vertical wall mount cupboard to be supplied by the Hearing Augmentation subcontractor *when no public address system is supplied by others*).

#### **Loop**

The loop shall comprise insulated Figure 8 cable with a continuous colour identification stripe along the entire length of the cable. The colour identification stripe to be of a different colour to the insulation colour. The loop cable resistance shall be

# Audio Frequency Induction Loop Systems

Eric Martin & Associates

---

matched to the loop amplifier, and this cable shall be specified and supplied by the loop subcontractor.

*Where a wooden floor is to be installed on a concrete floor;*

Install the loop adjacent to and within 200mm of the perimeter walls of the .... room above concrete slab and below false flooring. Notch flooring battens to allow loop installation.

*Where a concrete floor is to be covered directly with the flooring ;*

Install the loop adjacent to and within 200mm of the perimeter walls of the .... room, in the concrete slab, above all steel reinforcing or can be flat on top of the slab.

The loop cable shall be continuous without joints or connections.

The loop cable to be installed in 19mm conduit with draw-in boxes located on the ... room perimeter walls. Label wall boxes 'AUDIO LOOP SYSTEM'.

The loop cable shall be wired to provide two complete, consecutive turns and have a total resistance of between two and three ohms.

## Notices

Provide the international symbol for deafness in a prominent position in the ... room indicating that an assistive hearing device is installed. The symbol to comply with AS-1428.2 symbols. The size of the sign is to be a minimum of A4.

Provide a notice adjacent to the amplifier detailing how the system works and the procedures for testing the system.

## Test Devices

Provide one test receiver.

Provide two loop receivers for hearing impaired users with hearing aids. The number to be supplied is five percent of the maximum number of people to be in the looped area at one time. Loop receivers are to be supplied with one stetoclip with each receiver.

Provide Training and Instruction Manual

Provide staff training to make staff aware of how the system works and the need to have it turned on and tested regularly.

## Testing and Commissioning

Carry out a commissioning with a hearing aid to test clarity of speech, music and for interference at the weakest point.

Check field strength with a calibrated field strength meter to be a minimum of 0.1 A/m, with the output current as a 1 kHz sinusoidal wave, and measured in the weakest place inside the loop.

Check loop current for compliance with the frequency response of 100Hz – 5kHz, and roll off of at a minimum of 6dB per octave above 6kHz.

Check compression of 30 dB, and that the threshold of compression is set for soft speech.

A procedure for routinely testing and monitoring, using a loop receiver, shall be detailed and staff trained in its use. The procedure shall include testing the level of the loop system and listening to the clarity of speech and music through the system.

## Signage

Supply and install signage to AS1428.1 at the entry of the room and at the front of the room.